

SONY

Hi-Fi Products
Service Bulletin

CSA-13

Sony Service Company - Technical Services
A Division of Sony Electronics Inc.
Sony Drive, Park Ridge, New Jersey 07656

Model: D-121/125

No. 360

Subject: Incomplete Lock Of Upper Lid

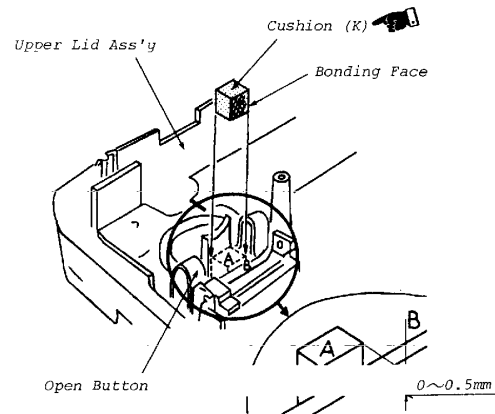
Date: November 18, 1993

Symptom:

(**) Upper lid either does not lock completely or opens up when subjected to a slight shock.

Solution:

REF	DESCRIPTION	PART NUMBER
-	CUSHION (K)	4-963-626-01



Reference: Tokyo Fax No. D-93009
Autoflagged - NO



PRINTED IN USA
CSA-131193-1